

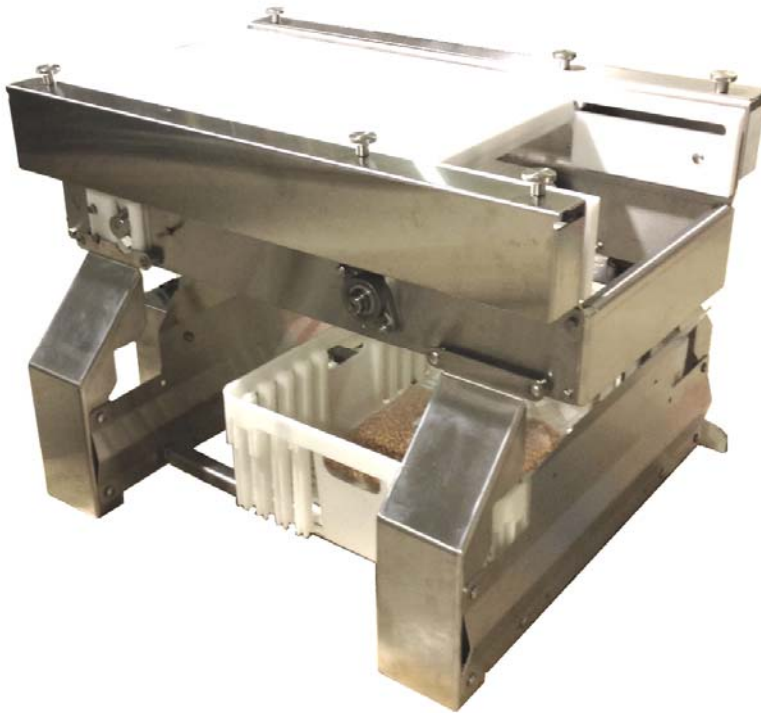
# R5 Rejecter

## Retractable Nose Conveyor System

**R5 Rejecter** is a self-contained, retractable nose conveyor system designed to work with the automated inspection systems.

Upon receiving a signal from the Inspection System, the trailing end of the **R5 Rejecter** conveyor retracts to drop the rejected product into a reject tote bin. The **R5 Rejecter** retractable nose is well suited for applications with close product spacing. The **R5 Rejecter** handles a *wider* range of product weights and packaging types than traditional push arm solutions, where rejection can be compromised by spacing or belt friction.

The **R5 Rejecter** system handles these problems with ease. When the belt retracts, the product simply falls off the end of the belt and the returning nose leads the next product back to the normal position.



All stainless steel construction  
And components

### Wash Down Capable

The **R5 Rejecter** system is designed for IP65 and IP69K wash-down environments.

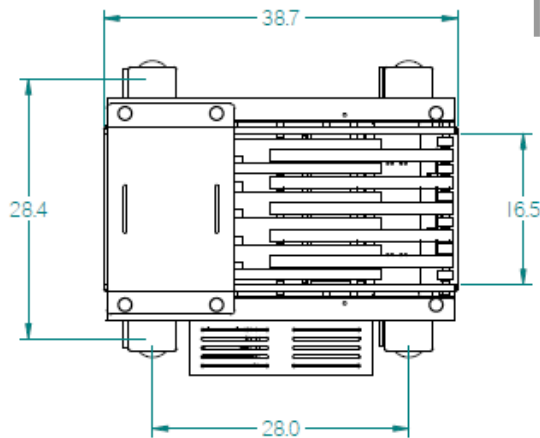
### Eliminate Pinch Hazards

All mechanical actions are fully enclosed to eliminate pinch hazards. Both sides have removable panels providing easy access for cleaning and maintenance.

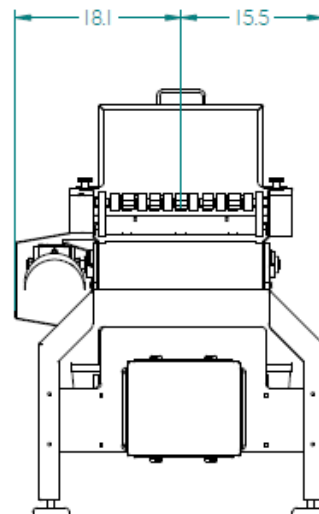
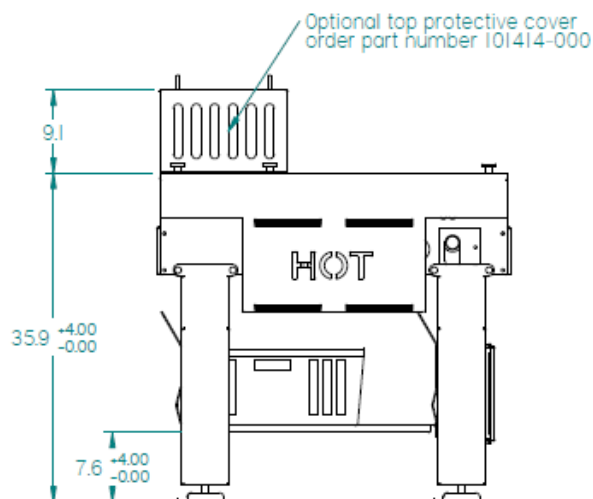


# R5 Rejecter

## Technical Information



Model: R5-16-10 Shown with optional protection cover



## Specifications

**Frame Construction** – Heavy-duty #304 stainless steel with #4 polished finish, open construction

**Length** - 38" for 10" retraction stroke

**Belt Width** - 12", 16", and 24" wide

**Height In feed** – 34" +/- 2" (other heights are available)

**Belt transfer** – 2" diameter Ultra High Molecular Weight polyethylene (UHMW) rollers

**Belt Type** – Intralox 1400, 1/2" pitch, Flat top surface, 0% open, white Acetal material

**Belt Speed** – Up to 200 feet per minute. Completely variable utilizing the built-in Variable Frequency Converter

**Retraction Stroke** – 10"

**Shafts** - #316 Stainless Steel. 1 1/2" square drive / 3/4" rollers

**Motor** – fully enclosed stainless steel 0.5 hp wash down Lesson with stainless steel gear reducer

**Power Requirement** – 208 - 240VAC < 5 amps

**Pneumatic Requirement** – 75 PSI, regulator & Solenoid included. (requires external water separator/filter)

**Reject Bin** – Basket wash-through type, FDA PTFE White, 24" x 20" x 8"

Novus X-Ray LLC  
206 Airport Blvd  
Doylestown PA 18902

Tel. 215.962.3171  
Fax 609.249.5124  
Email sales@novusxray.com  
Web www.novusxray.com



**Novus**  
**X-Ray**